

HELP

VEHICLE

ACCOUNT

EXIT

2002 Mercedes Benz C 32 AMG (203.065) V6-3.2L SC (112.961)

[Top - Vehicle](#)↳ [Technical Service Bulletins](#)↳ [All Technical Service Bulletins](#)↳ **Lighting - Front Turn Signals  
Inoperative**

SEARCH

or

Contact ALLDATA

[Notes](#)**Lighting - Front Turn Signals Inoperative**

Date: July 1, 2003

Order No.: P-B-82.10/195c

Supersedes: P-B-82.10/195b dated August 2, 2002

Group: 82

Revision: Warranty Information Updated

**SUBJECT:**Model 203, Model Years 2000 and Later  
Front Turn Signal Inoperative

If you encounter instances in Model 203 vehicles of the front turn signal not working, this may be due to a contact problem between the [turn signal bulb](#) socket and the headlamp housing. In this case, perform the following repair only on the affected side of the vehicle.

1. Remove E1e2 (left turn signal) or E2e2 (right turn signal) from the headlamp housing. Refer to WIS document no. AR82.10-P-1201P, R&R Bulbs - [Headlamp](#) Unit.
2. Check outer contacts of the bulb socket for damage. If damage is visible, repair as follows.
3. Disconnect 5-pin connector at headlamp housing.

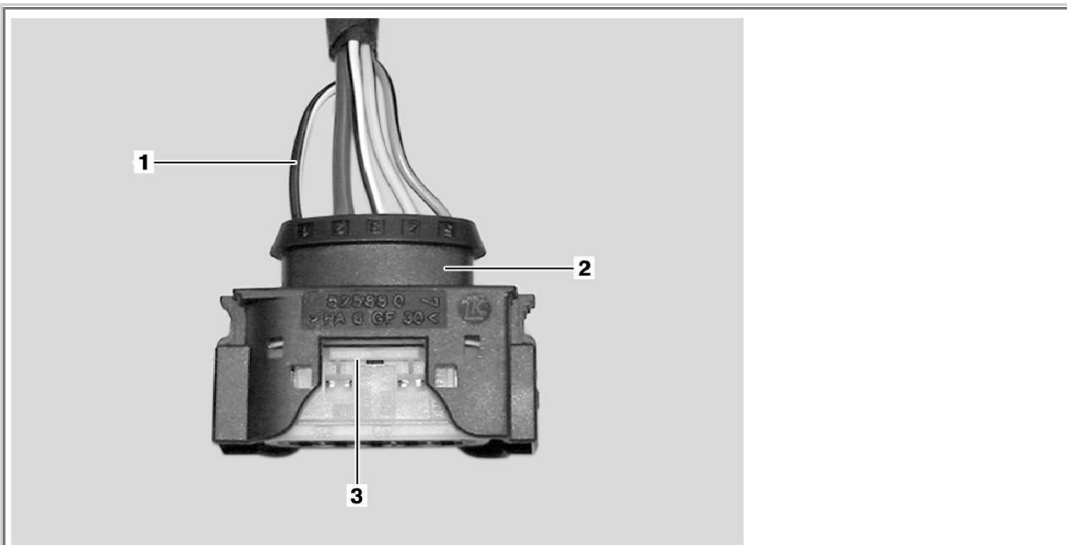


Figure 1  
Plug from headlamp assembly  
1 Turn signal wire located in chamber 1 of existing headlamp housing connector (2)  
2 Headlamp housing connector  
3 Connector locking tab

P-B-82.10/195

4. Open pin lock (3, Figure 1) on connector (2, Figure 1) and "un-pin" turn signal wire (1, Figure 1) from connector. Left side, pin 1 is white/black. Right side, pin 1 is green/black. Refer to WIS document no. AR00.19-P-0120-02B, Removing Contacts from Sensor Connector.
5. Plug empty chamber with a rubber plug, refer to parts information section for part number.

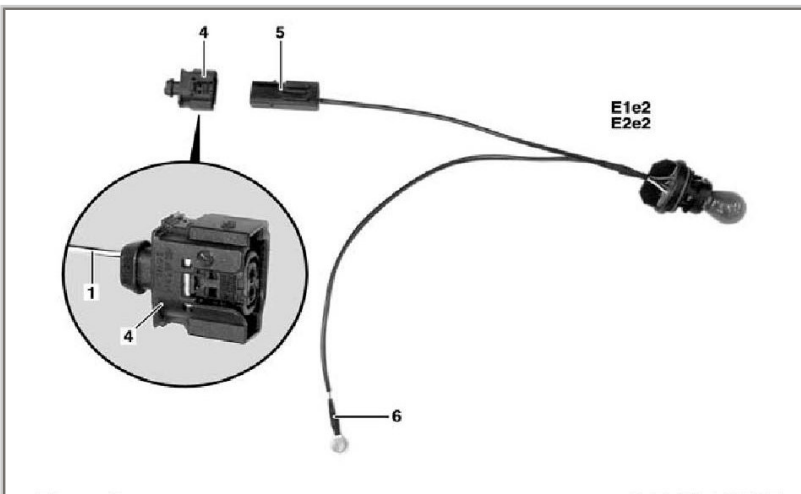
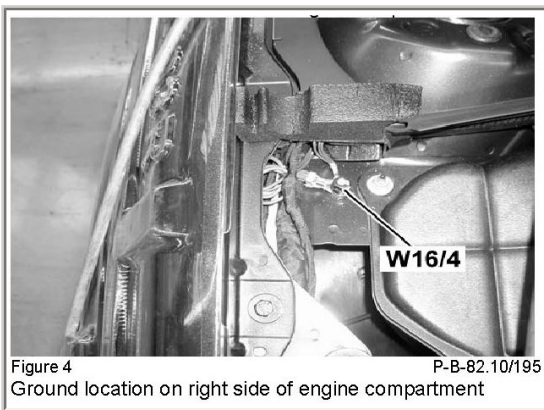
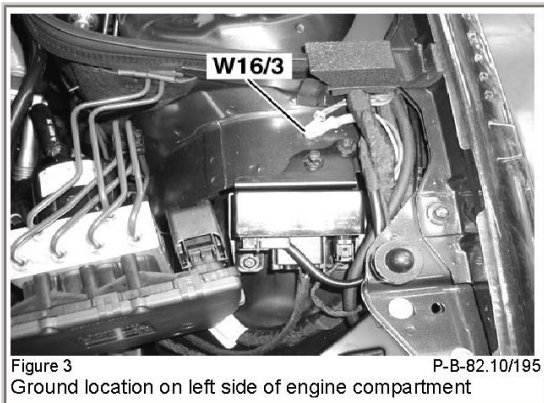


Figure 2  
Turn signal repair set  
1 Turn signal wire from headlamp  
4 Repair set connector  
5 Turn signal bulb socket connector  
6 Turn signal bulb socket ground wire

P-B-82.10/195

6. Remove contact housing (4, Figure 2) from connector (5, Figure 2) and insert "un-pinned" turn signal wire removed in step 4 (1, Figure 2) into chamber 2 of contact housing (4, Figure 2) (from repair set). Prior to assembly, check individual gaskets for damage.
7. Reconnect contact housing (4, Figure 2) with connector (5, Figure 2). Housing must audibly click into place.



8. Connect cable eyelet (6, Figure 2) of the repair set with the component compartment ground (W16/3, Figure 3) if repairing the left turn signal or the component compartment ground (W16/4, Figure 4) if repairing the right turn signal.
9. Install E1e2 (left turn signal) or E2e2 (right turn signal) into the headlamp housing.
10. Re-connect connector (2, Figure 1) with headlamp housing.

11. Attach repair harness set along the original harness with 2 cable ties in such a way that the harness will not be abraded and/or cause any noise.

Qty.	Part Name	Part Number
1	Repair set, USA version (white bulb socket), one side	203 826 02 82
1	Plug, rubber	000 545 78 80
2	Cable tie	Local Purchase

### Parts Information

**Operation:** Wiring harness - one front turn signal lamp, install/repair (54-7947)

Damage Code	Operation Number	Time (hrs.)	Model Indicator (s)
82104 74	54 7947	0.3 hrs.	P0

### In Case of Warranty

Copyright © 2006 ALldata LLC

[Terms of Use](#)